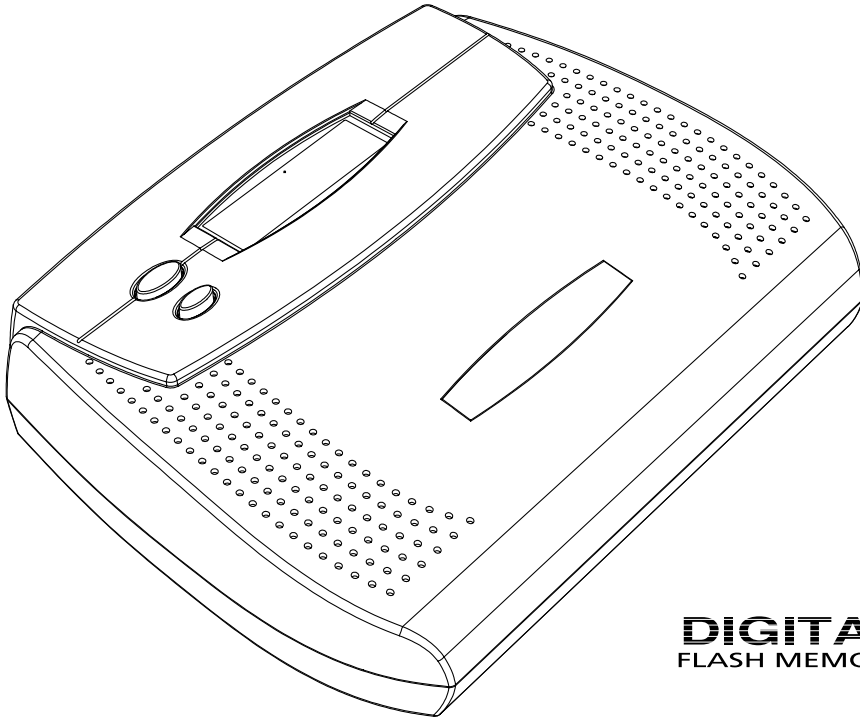


User Manual

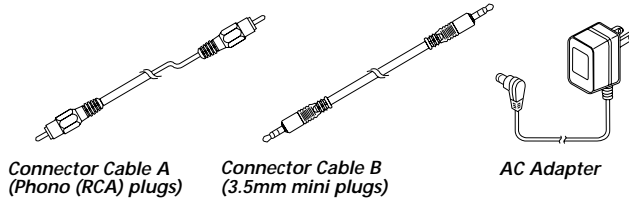


DIGITAL
FLASH MEMORY

Digital On-Hold Audio System

Before using this unit, please read these operating instructions carefully.
Afterwards, keep them handy for future reference.

Supplied Accessories



*Connector Cable A
(Phono (RCA) plugs)*

*Connector Cable B
(3.5mm mini plugs)*

AC Adapter

Features

Digital flash memory - design retains music/message content even during power loss...unit ships with preloaded audio.

LCD Control Panel - displays program length, time remaining in unit's memory, and unit's status.

Trigger switch - unit can be triggered to start program content from the beginning with an external trigger switch.

External Recording Capability - audio input allows user to record from any external audio source.

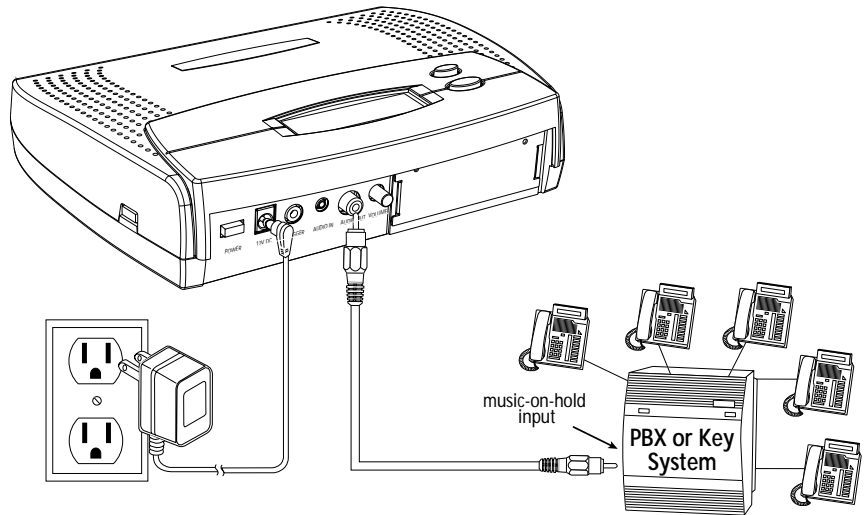
Built-In Monitor Speaker - allows user to monitor sound with the flip of a switch.

Wall Mountable - unit can play and record while mounted in a vertical position.

3-Year Warranty

Set-up

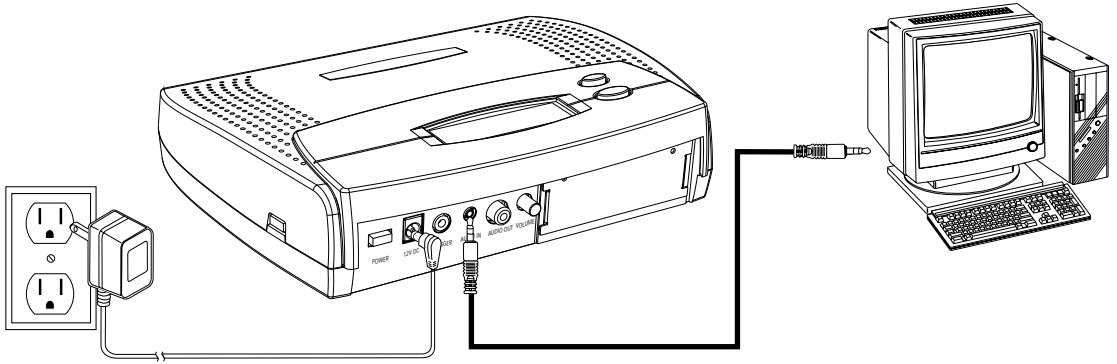
► Connection to PBX or KEY phone systems



- 1** Plug AC adapter into wall outlet.
- 2** Plug AC adapter cable into jack marked "DC12V".
- 3** Plug "Connector Cable A" to "AUDIO OUT" jack.
- 4** Plug other end of "Connector Cable A" into phone system's music-on-hold (moh) input jack. NOTE: If the jack cannot be located, contact your phone vendor for assistance.

Set-up

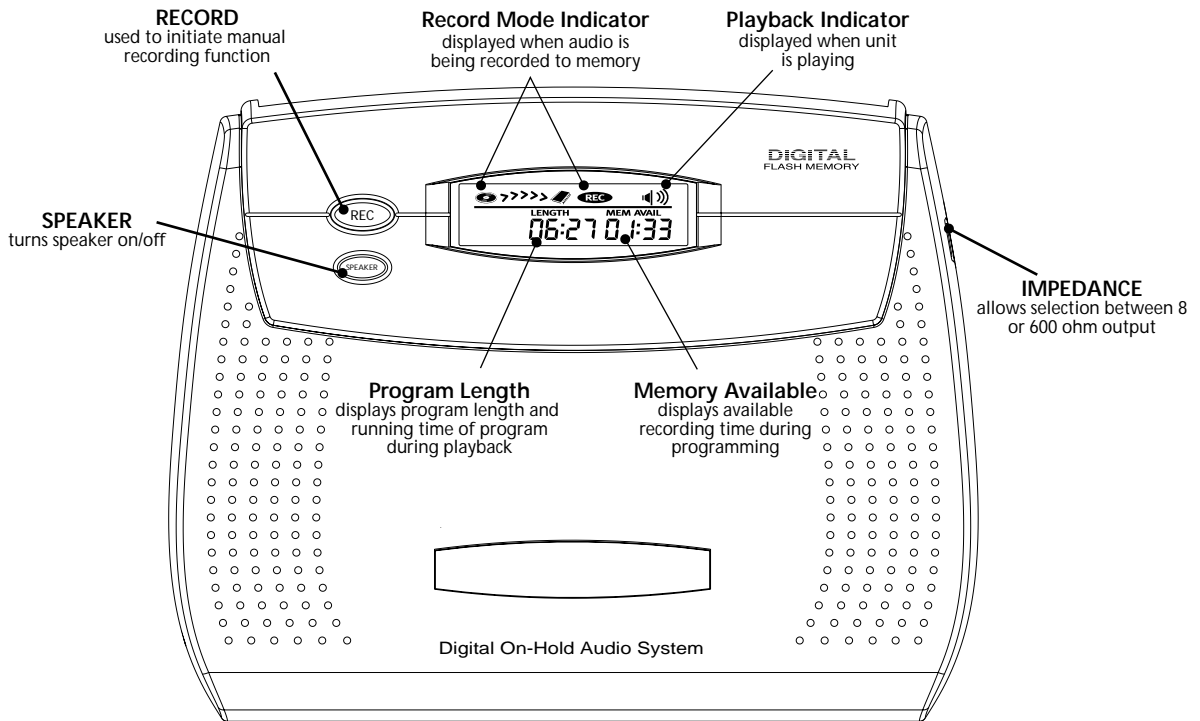
► Connection to External Source for Recording



- 1 Plug "Connector Cable B" into "speaker out" or "audio out" jack of your computer's sound card or connect to the "headphone" jack of your PC's speakers (if available).
NOTE: If using CD or tape player for recording audio content,, connect to the headphone jack of the tape or CD player.
- 2 Plug other end of "Connector Cable B" to "AUX IN" jack on the unit.

Controls & Functions

► *Player Controls & LCD Display*



Operation

► **Playback**

Playing Audio Stored in Memory

By default, the unit is always in "playback" mode. When unit is playing, the LCD will display a running time and the segments on the speaker icon will move.

Playback After Power Loss

If power to the unit is lost, the unit will resume playback as soon as power is reapplied. The unit retains its recorded content after power loss.

► **Recording**

Auto Recording

Specially encoded sync tones embedded in a custom on-hold audio production can automatically start and stop the recording process on the unit. **These tones will not be recorded.** To record from other CDs or music sources, see "Manual-Recording" section on the following page.

Beginning Auto Recording

Begin by connecting the included audio cable from your external playback device (PC, CD or tape player) to the AUX IN jack of the unit. Initiate play from your external playback device, a start tone will be heard and the unit will begin recording automatically. When finished, a short series of tones will signal the unit to stop recording. After recording, the unit automatically returns to active play mode. **IMPORTANT** - remove audio cable from rear of digital playback unit.

NOTE: During recording, the LCD will display a moving arrow from the CD icon to the memory chip icon. You will hear what is being recorded through the built-in preview speaker. When recording is finished, the counter on the LCD will display a running playback time.

IMPORTANT: To avoid inadvertent erasure of stored audio program, remove "Connector Cable B" from the unit's "AUX IN" jack when recording is finished.

Operation (cont'd)

▶ **Manual Recording**

1. Insert 3.5 mm mini plug into the jack marked "AUDIO IN".
2. Press the "REC" button to begin recording.
3. Begin playback of your external source.
4. When finished, press "REC" button again to stop recording.

OPERATION -- Once "REC" button is pressed, the unit will begin recording the content of external source audio into the unit's digital memory. During the recording process, the audio being recorded to memory will be heard through the speaker.

NOTE: The "REC" button is only active when the 3.5 mm mini plug is connected to the "AUX IN" jack.

Settings

▶ **Impedance Switch**

Location -- right side of unit

Operation -- Most telephone systems prefer an 8 ohm output. If you are working with an older phone system, the 600 ohm setting may be preferable.

▶ **Speaker Button**

Location -- left top, located below the "REC" button

Operation -- Push "SPEAKER" button to listen to program playing from digital memory. Push "SPEAKER" button again to turn off speaker.

Audio being recorded plays through speaker, regardless of speaker switch position. Speaker switch position has no effect on "AUDIO OUT" playback.

▶ **Volume Control**

Location -- rear panel

Operation -- controls output level of "AUDIO OUT" jack. To adjust, turn control knob clockwise to increase volume. Set proper volume level by calling in from a phone close to the unit (or cell phone) and having your call placed on hold.

▶ **Power Switch**

Location -- rear panel

Operation -- turns power on or off. When power is on, LCD is illuminated.

Other Functions

▶ *Remote Trigger*

Location -- rear panel

Connection -- 2.5 mm mini jack

Operation -- By connecting a momentary switch to this jack, the unit will play audio content from memory when triggered.

Content will play through once and then reset, ready for next trigger sequence.

▶ *Audio In*

Location -- rear panel next to "TRIGGER" jack

Connection -- 3.5 mm mini jack

Operation -- Connect audio cable from the "LINE OUT" or "headphone out" jack of any external audio source to the "AUX IN" jack.

Adding Additional Memory

▶ *Configuration*

The unit comes standard with 8 minutes of flash memory. Memory can be expanded to 16, 24 or 32 minutes by adding memory modules in 8-minute increments. Memory modules can be placed into 3 available memory expansion slots located on the circuit board. The memory slots can be accessed by removing the the 5 screws on the bottom of the unit and then lifting away bottom portion of the housing.

▶ *Installation*

1. Turn power switch to OFF position and disconnect all cords and cables from the unit.
2. Remove five screws in bottom of unit.
3. Remove lower portion of the case housing.
4. Carefully insert the 24-pin memory module chip in the open expansion slot (next to the existing chip).
5. Reconnect cords and cables.
6. Turn power switch to ON position.